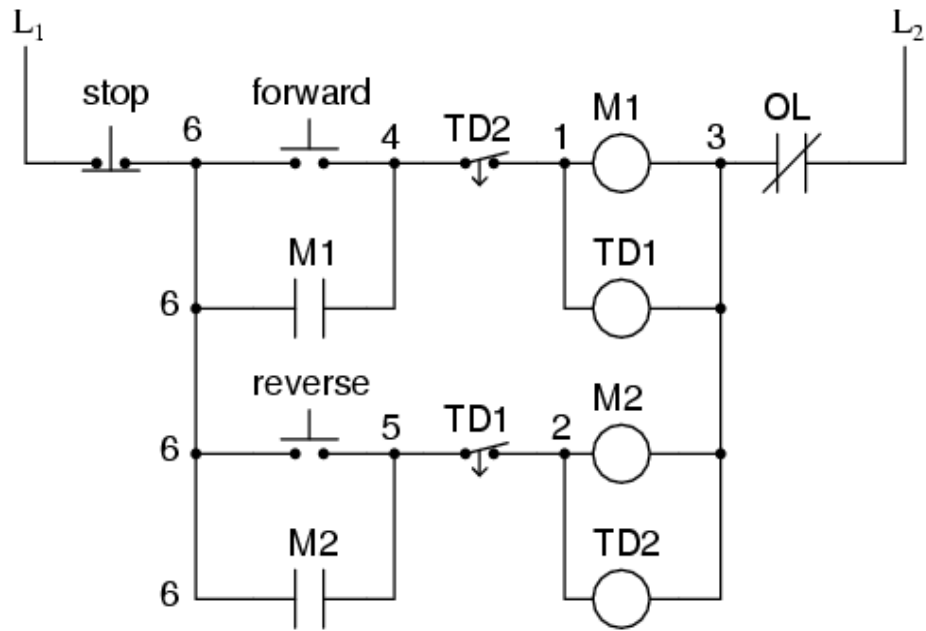


Ladder Diagrams and Schematics for Maintenance Technicians



In order for technicians to work on electrical systems, they must be able to understand and follow ladder diagrams and schematics. This course gives a complete understanding of the different types of electrical drawings and how to apply them in the field.

This class is 50% hands on.

There are over 50 drawings for students to make and convert to different forms.

Ladder Diagrams and Schematics for Maintenance Technicians

Course Topics and Objectives

- Electrical Symbols
- Ladder Diagrams
- Schematic Diagrams
- Series Circuits
- Parallel Circuits
- Combination Circuits
- Rung Numbers
- Reference Numbers
- Converting Drawings
- Wire Numbers
- Power rails and Wire Colors
- Control element arrangement
- Circuit protection arrangement
- Labels
- Electrical symbol abbreviations
- Power circuits
- Identify common electrical symbols
- Read and interpret a variety of schematics and drawings
- Relate actual equipment components to diagram symbols
- Troubleshoot equipment problems based on symptoms
- Create drawings based on descriptions and observations
- Provide written/verbal descriptions of circuit diagrams

Who Should Attend:

All Maintenance Personnel who Work In:

- Manufacturing Plants
- Commercial Buildings
- Hospitals Waste Water Facilities
- Schools Government Buildings
- Research Facilities Shopping Centers
- Hotels Apartment Buildings
- Government Buildings
- Military Installations
- Other Facilities Where Electrical Maintenance is Required, Including:
- Maintenance Technicians
- Mechanics HVAC Technicians
- Machine Operators Apprentices
- Alarm Technicians Electricians
- Facility Managers Non-Electrical Engineers
- Building Engineers Stationary Engineers

Ladder Diagrams and Schematics for Maintenance Technicians

Onsite Training:

- We offer onsite training at your facility.
- We can provide the same courses as we offer in public seminars. We can even design courses especially to meet your needs.

Advantages of On-Site Training:

- Modify the content to your specific needs
- Protect company privacy
- Workers remain on site in case of an emergency
- Saves time and travel costs
- Instructors can discuss your specific equipment
- Problems can be openly discussed
- Flexible scheduling
- Increased price savings as the groups get larger
- Promote teamwork & camaraderie among workers
- More comfortable learning environment

Class Options:

2 Day Class

- Motor Controls for Maintenance Technicians

2 Day Class

- VFDs for Maintenance Technicians

2 Day Class

- Electric Motors for Maintenance Technicians

4 Day Class

Motor Controls Workshop

- Ladder Diagrams and Schematics for Maintenance Technicians - 2 Days

5 Day Class

Motor Controls Workshop

Ladder Diagrams and Schematics for

Maintenance Technicians - 2 Days

Motor Controls for Maintenance

Technicians - 2 Days Plus 1 Full Day of

Troubleshooting.

Note: The 4 day workshop combines Ladder Diagrams and Schematics for Maintenance Technicians and Motor Controls for Maintenance Technicians to form a 4 day class.

Note: The Troubleshooting Bootcamp combines Ladder Diagrams and Schematics for Maintenance Technicians, Motor Controls for Maintenance Technicians and a Full Day of Troubleshooting to form a 5 day class.